

Read head CES-A-LC.../CES-A-LN...

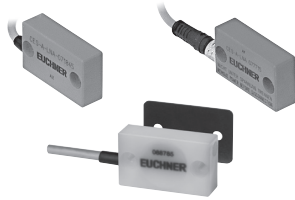


► **Cube-shaped design**
42 x 25 mm

Read head CES-A-LNA... (Fortron)
Hard-wired encapsulated cable

Read head CES-A-LCA... (PE-HD)
Hard-wired encapsulated cable

Read head CES-A-LNA-SC (Fortron)
M8 plug, 3-pin



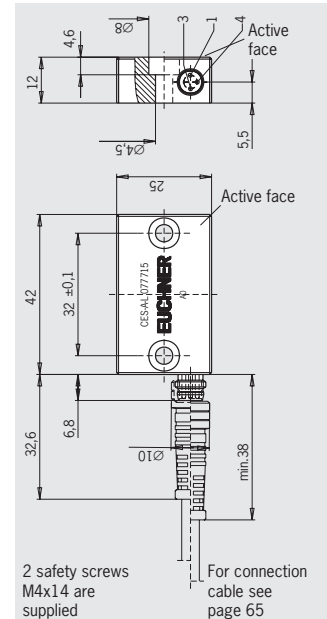
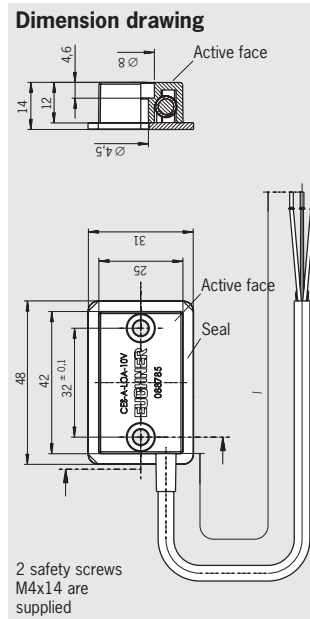
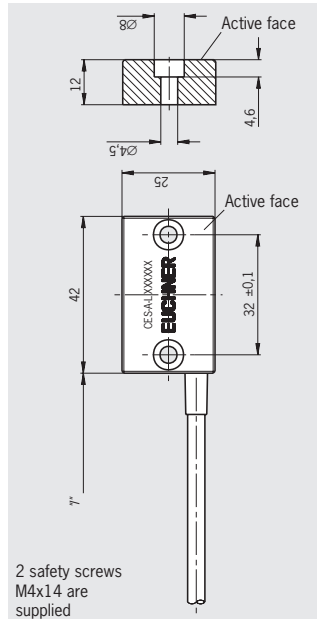
For possible combinations see page 24

Warning:

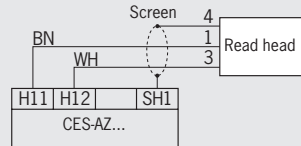
The operating distance may vary depending on the background material and installation situation.

Important:

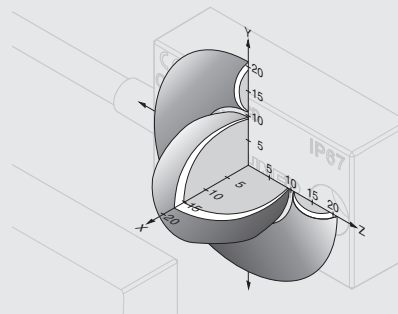
Actuators must be ordered separately! See page 45 and 47.



Pin assignment



Typical operating distance



For a side approach direction for the actuator and read head, a minimum distance of $s = 3$ mm must be maintained so that the operating distance of the side lobes is not entered.

Ordering table

Series	Cable/connection type	Cable length [m]	Type	Order no. / item
CES-A-LCA-...	V Cable PVC	10	Housing material PE-HD ²⁾	088 785 CES-A-LCA-10V
		5		071 845 CES-A-LNA-05V
CES-A-LNA-...	V Cable PVC	10		071 846 CES-A-LNA-10V
		15		071 847 CES-A-LNA-15V
		25		071 975 CES-A-LNA-25V
		5		077 806 CES-A-LNA-05P
	P Cable PUR	10		077 807 CES-A-LNA-10P
		15		084 682 CES-A-LNA-15P
	SC M8 plug connector	-		077 715 ³⁾ CES-A-LNA-SC
CES-A-LNA-SC-EX	SC M8 plug connector	-	ATEX ¹⁾	098 156 ^{1) 3)} CES-A-LNA-SC-EX

1) EX II 3G Ex nL IIC T70°C (zone 2 gases)

2) Suitable for use in aggressive media (e. g. acids, alkalis)

3) Plug connector suitable for snap-action and screw terminals

Technical data read head CES-A-LC.../CES-A-LN...

Parameter	Value			Unit
	min.	typ.	max.	
Housing material	Fortron, reinforced thermoplastic, fully encapsulated			
- CES-A-LNA...	Plastic PE-HD without reinforcement, fully encapsulated			
- CES-A-LCA...	Fluororubber 75 FPM 4100			
Flat seal material (CES-A-LCA... only)				
Dimensions	42 x 25 x 12			mm
Weight (incl. 10 m cable)	0.3			kg
Ambient temperature				
- CES-A-LCA...	-25	-	+50	°C
- CES-A-LNA.../CES-A-LNA-SC-EX	-25	-	+70	
Degree of protection	IP67/IP69K			
Installation position	Any			
Method of operation	Inductive			
Power supply	Via evaluation unit			
In combination with CES-A-BBA				
Operating distance for center offset $m = 0$ ¹⁾				
- Assured switch-off distance S_{ar}	-	-	26	mm
Cable length $l = 0$ to 25 m				
- Switch-on distance	-	15	-	
- Assured switch-on distance S_{ao}	10	-	-	
- Switching hysteresis	0.5	2	-	
Connection cable	Hard-wired encapsulated connection cable, with crimped ferrules			
- CES-A-LCA.../CES-A-LNA...	PVC, \varnothing 4.6 mm			
- CES-A-LNA...	PUR, \varnothing 4.8 mm, suitable for drag chain			
- CES-A-LNA-SC	M8 plug connector (snap-action and screw terminals), 3-pin			
Cable length	See ordering table		25	m

1) These values apply for surface installation of the read head and the actuator.